

## TECHNICAL SPECIFICATION

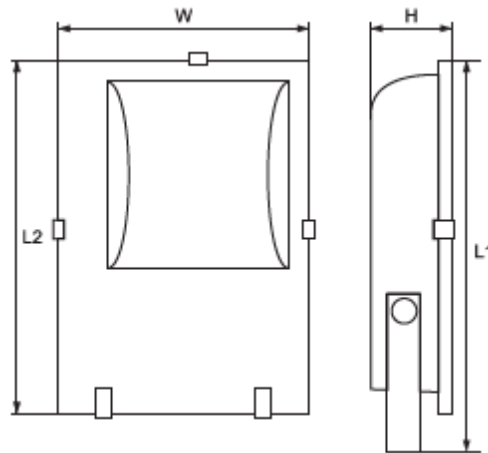
### Floodlight - ATLAS 505



#### Technical data

- Rated voltage: 230V / 50Hz
- Lamp operation mode: Control gear
- Control gear: Mounted in the body
- Light source type (not included in the commercial kit): Metal-halide lamps (MHL)
- Lamp power: 250W, 400W
- Housing: Aluminium
- Housing colour: Black
- Reflector: Aluminium, symmetric
- Diffuser: Tempered glass
- Installation: Surface mounting, suitable for illumination of outdoor and indoor areas
- Lampholder type: E40
- Protection against dust and moisture: IP65
- Protection class: I
- Surface requirements: Class F
- Ambient temperature: -20°C ÷ +65°C

## Variants and dimensions

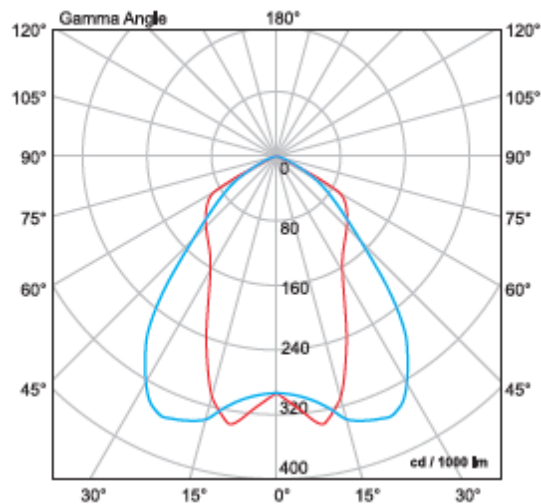


Watt	Lamp	Colour	Size (mm)				Current (A)	Control gear	Catalogue number	Packing (pcs)
			L1	L2	W	H				
250W	MHL	black	420	350	330	120	3.00	magnetic	98AT505111	1
400W	MHL	black	510	460	420	150	3.50	magnetic	98AT505112	1
400W		black	510	460	420	150	-	empty fixture	98ATLAS505A	1

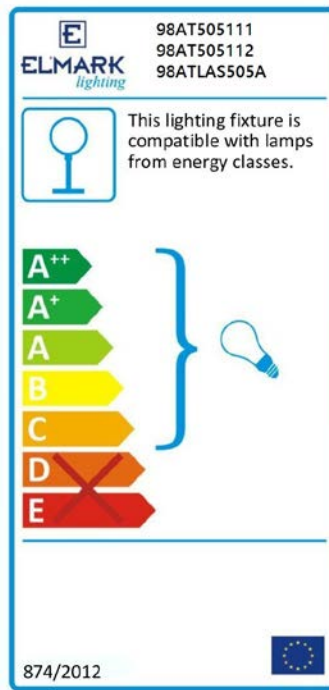
## Luminous distribution curves



### ATLAS 505 / 250W



## Energy efficiency



## Barcodes

Barcode	Catalogue number
3800131164216	98AT505111
3800131164223	98AT505112
3800131167538	98ATLAS505A

## Standards

EN 55015

EN 61000-3-2; EN 61000-3-3

EN 61547

EN 61000-4-2; EN 61000-4-4; EN 61000-4-5; EN 61000-4-8; EN 61000-4-11;

EN 60598-1; EN 60598-2-5

